



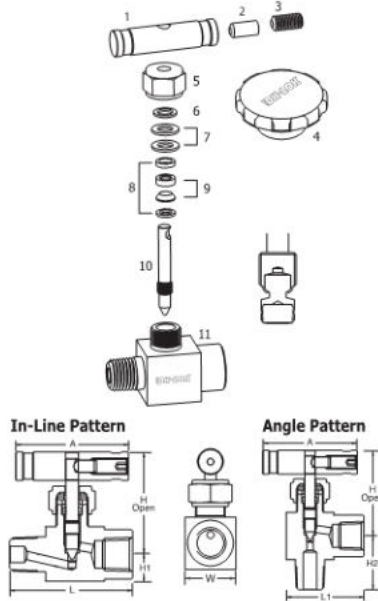
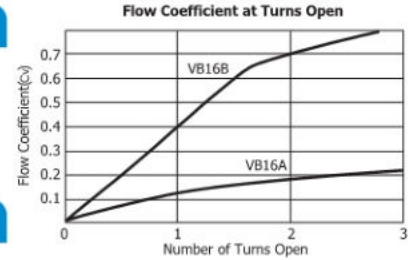
Features

Two-piece chevron PFA stem packing design with compensating spring packing.

- improves sealing integrity.
- high pressure valve but with compact design.

Flow Data

Cv are measured at the valve. Therefore restrictions at end connections may reduce flow.



Materials of Construction

Components	Material Grade
1 Bar Handle	SS316/ASTM A276
2 Position Pin	
3 Set Screw	Grade B8 TYPE 304/A193
4 Optional Round Handle	Nylon with brass insert
5 Cap Nut	SS316/ASTM A276
6 Gland	
7 Spring Packing (2)	S17700/A693
8 Upper / Lower Gland (2)	SS316/ASTM A276
9 Chevron Packing (2)	PFA/D3307
10 Standard Vee Stem	SS316/ASTM A276
10.1 Optional Soft Stem	Kel-F (PTFE)
11 Body	SS316/ASTM A276

Pressure-Temperature Ratings

Temperature rating of VB16A & B series with nonrotating Kel-F soft seat -65 to 200 °F (-53 to 93 °C), Vee stem metal seat -65 to 450 °F (-53 to 232 °C).

Non-rotating soft seat for repetitive shut-off on gas

ASME Class	2500
Material Group	2.2
Material	SS316
Temperature °F (°C)	Working Pressure, psig (bar)
-65 to 100 (-53 to 37)	6000 (413)
200 (93)	5160 (355)
250 (121)	4910 (338)
300 (148)	4660 (321)

Ordering Information and Dimensions

Ordering Number	End Connection		Dimensions, mm(in.)			H2	L	L1	A	W
			Orifice/Cv	H	H1					
VB16A-	D4T-S	1/4 in. DK-Lok	3.2 (0.125) Cv 0.21	43.1 (1.69)	10.7 (0.42)	29.5 (1.16)	62.5 (2.46)	39.9 (1.57)	44.5 (1.75)	21.6 (0.85)
	F4N-S	1/4 in. Female NPT				25.4 (1.00)	47.8 (1.88)	36.6 (1.44)		
	M4N-S	1/4 in. Male NPT				-	49.3 (1.94)	-		
	MF4N-S	1/4 in. Male 1/4 in. Female	26.2 (1.03)	48.5 (1.91)	36.6 (1.44)					
VB16B-	D6T-S	3/8 in. DK-Lok	6.4 (0.25) Cv 0.73	58.0 (2.28)	16.8 (0.66)	-	78.2 (3.08)	-	64.0 (2.52)	32.0 (1.26)
	D8T-S	1/2 in. DK-Lok				-	83.8 (3.30)	-		
	F6N-S	3/8 in. Female NPT				-	-	-		
	F8N-S	1/2 in. Female NPT				35.8 (1.41)	63.5 (2.50)	52.3 (2.06)	*50.0 (1.97)	
	MF6N-S	3/8 in. Male NPT 3/8 in. Female NPT				31.0 (1.22)				
	MF8N-S	1/2 in. Male NPT 1/2 in. Female NPT				35.8 (1.41)				
	MF12N8N-S	3/4 in. Male NPT 1/2 in. Female NPT				-	-	-		

Angle Pattern : Valves with L1 dimension available for Angle Pattern. * Round handle diameter.
To order a valve with soft stem, insert -K in the ordering number. i.e., VB16A-D4T-K-S

Factory Test

Every valve is tested with the nitrogen @ 68 bar (1,000 psig) for leakage at the seat to a maximum allowance leak rate of 0.1 scc /min. The stem packing is tested for no detectable leakage.

Safe Valve Selection

The selection of a valve for any application or system design must be considered to ensure safe performance. Valve function, valve rating, material compatibility, proper installation, operation and maintenance Remain the sole responsibility of the system designer and the user. DK-Lok accepts no liability for any improper selection, installation, operation or maintenance.